

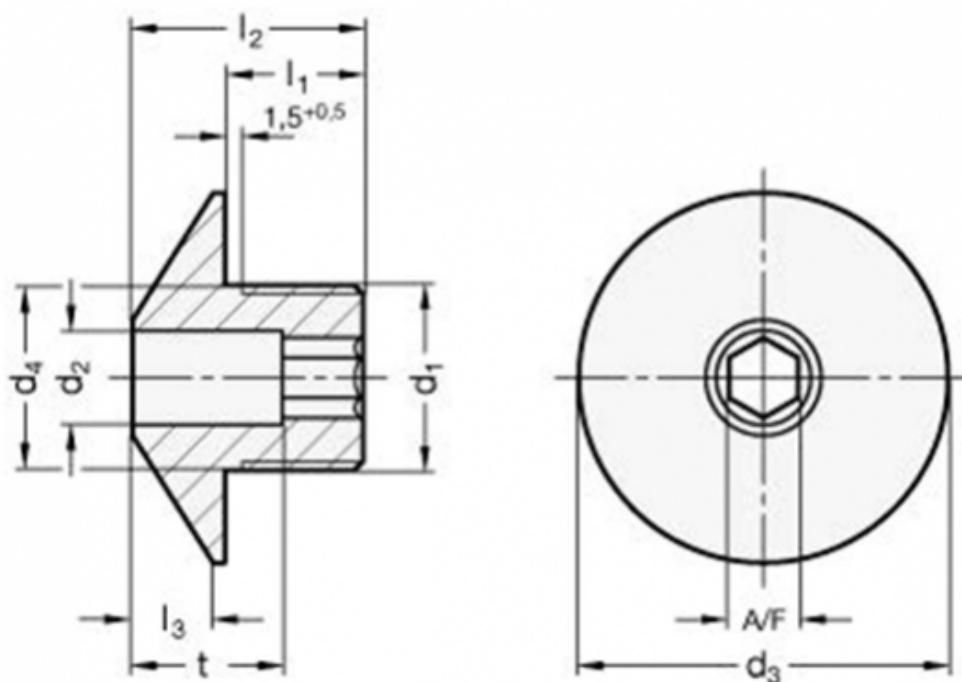
Data Sheet



Article number: 204123M1615B102

Description: E+G Positioning bushing GN 412.3-M16x1.5B10.2

Measures



A/F = 6

d1 = M16x1.5

d2 = 10.2

d3 = 32

d4 = 16

l1 = 12

l2 = 20

l3 = 7

t = 13

Weight in (g) = 35